



HORTI-HOT TOP LIGHTING

TECHNICAL DATASHEET

Product features

Housing material	Aluminum
Finishing	Powder coating
Optics materials	Glass or PC cover (transmission >90%)
Protection degree LED compartment	IP65 (dust and watertight)
	Lamps can be cleaned by using pressurized water, the complete electrical circuit is sealed waterproof.

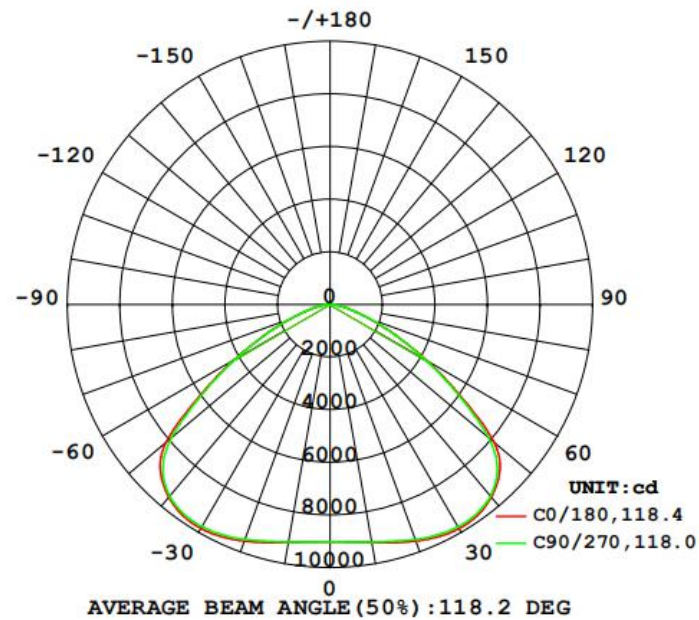
Technical data

Power*	300W (± 5%)
PF	> 0.93
Voltage range	100-240VAC /100-277 VAC
Current range	3.0A - 1.08A
Frequency range	50/60 Hz
Inrush current	< max. 25A (t< 1 msec)
Isolation class	Class I
Operation conditions	0°C to 40°C / 32°F to 104°F (95% RH)
Storage conditions	-40°C to 70°C /-40°F to 158°F (85% RH)

Optical properties

Photon flux (μMol/s)	540μMol/s
Efficacy (μMol/J)	1.8μMol/J (higher up to 2.1μMol/J can reach based on request)
Warranty	3 years

Customized lens The customized lens 60° 90° 120° etc are available



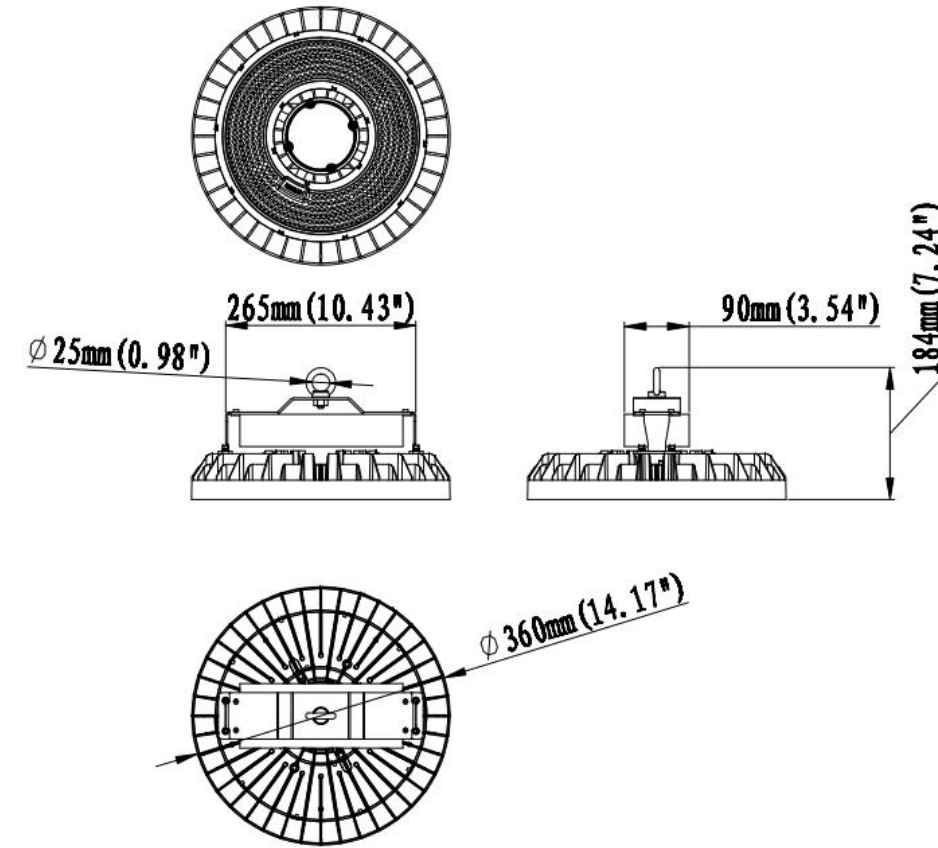
Weight and dimensions

Net weight	5.4kg/11.9lb
Product dimensions	∅ 360 x 184mm (∅ 14.17" x 7.24")

Mounting

Hanging installation

Drawings



Logistic specifications

Quantity per carton	1pc
Gross weight (approx.)	6.3kg/13.9lb
Carton dimensions	428 × 428 × 225mm (16.85" x 16.85" x 8.86")

Compliance

- CE certification
- Low Voltage Directive (LVD)
- Electromagnetic Compatibility Directive (EMC)
- Restriction of Hazardous Substances (RoHS) Directive

PPFD map: Horti-hot (300W)

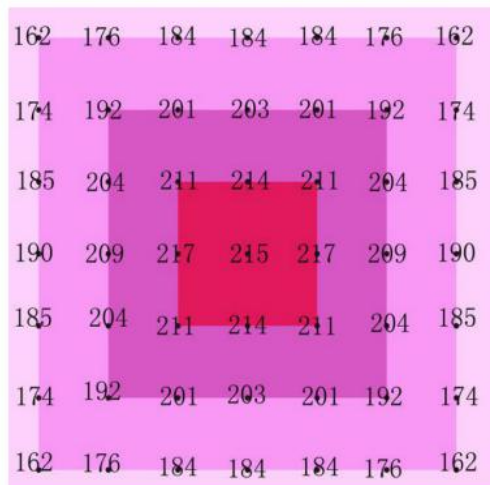
Greenhouse

Measurements: 1.2m x 1.2 m / 4' x 4'

Height fixture above canopy: 1.0 m / 40"

1 fixture needed for: 1.44 m²/16 sqft

Spectrum: the Horti-hot can be supplied with a wide range of colour spectra, the optimal one is determined by the specific crops you want to cultivate.



Average: 189 $\mu\text{Mol}/\text{m}^2/\text{s}$

Maximum: 217 $\mu\text{Mol}/\text{m}^2/\text{s}$

Minimum: 162 $\mu\text{Mol}/\text{m}^2/\text{s}$

Uniformity: 92%

Technical Datasheet

Designed and produced in the Atop Lighting. © 2019, Atop. All rights reserved.

Atop Lighting

Building A, Jian'an Road No.3,
Tang Wei Community, Fu Yong Street,
Bao An District, Shen Zhen, China.

T +8675523573307
E info@atophort.com
W www.atophort.com

