



# **HORTI-SPEC TOP LIGHTING**

**TECHNICAL DATASHEET**

2018

### Product features

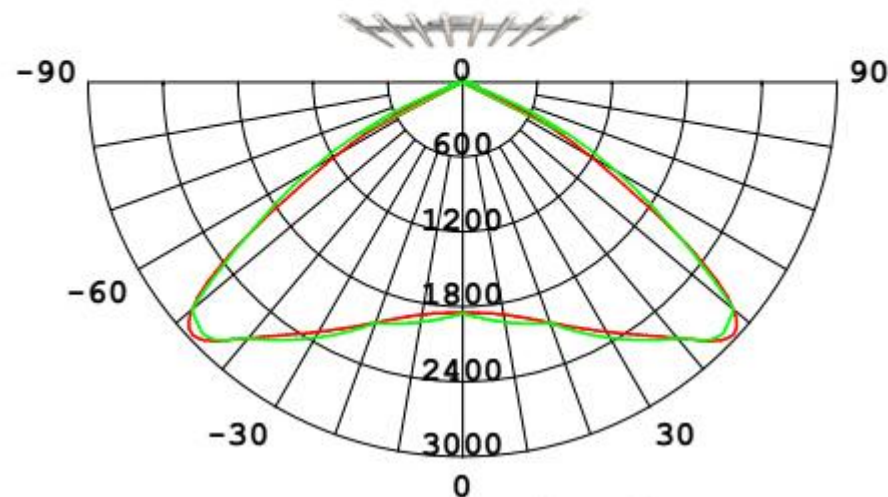
Housing material	Aluminum
Finishing	Anodic oxidation
Optics materials	PC cover (transmission >90%)
Radiation angle	120°
Protection degree LED compartment	IP65 (dust and watertight)
	Lamps can be cleaned by using pressurized water, the complete electrical circuit is sealed waterproof.
Lighting impact resistance	IK07

### Technical data

Power*	600 Watt (± 5%)
PF	> 0.98
Voltage range	100-240VAC/100-277 VAC
Current range	6.0A - 2.16A
Frequency range	50/60 Hz
Inrush current	< max. 25A (t< 1 msec)
Isolation class	Class I
Operation conditions	0°C to 40°C / 32°F to 104°F (95% RH)
Storage conditions	-40°C to 70°C / -40°F to 158°F (85% RH)

### Optical properties

Photon flux (μMol/s)	1380μMol/s
Efficacy (μMol/J)	2.3μMol/J
Warranty	5 years
Customized lens	The customized lens 120° etc are available



### Weight and dimensions

Single tube*8pcs	Components (power + bracket)
0.8kg/1.76lbs * 8pcs	6kg/13.23lbs

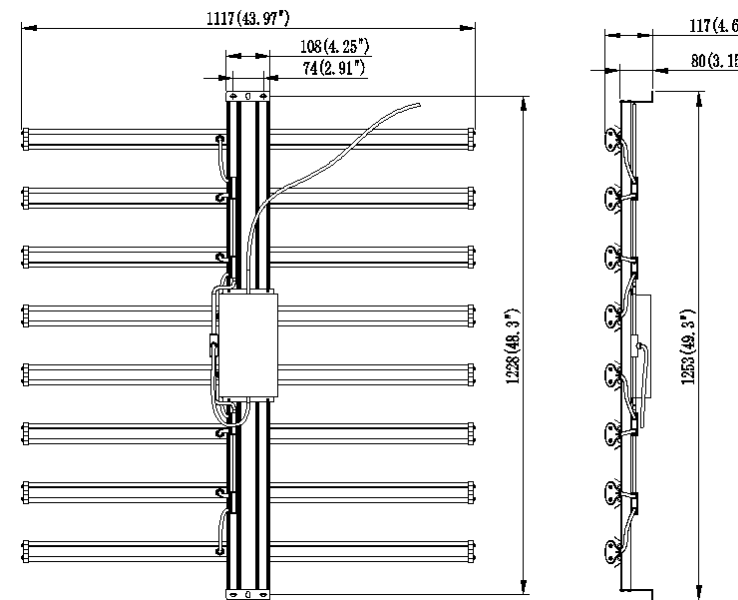
Net weight

Product dimensions 1253x1117x117 mm/49.3"x43.97"x4.6"

### Mounting

Hanging installation, ceiling mounted

### Drawings



### Logistic specifications

Quantity per carton	1 pc
Gross weight (approx.)	14.6kg/32.4lbs (including 8 tubes and components)
Carton dimensions	1160x309x140mm(lamp) + 1290x195x165mm(brackets) 45.6" x12.2" x 5.5"(lamp) + 50.78"x7.68"x6.5"(brackets)

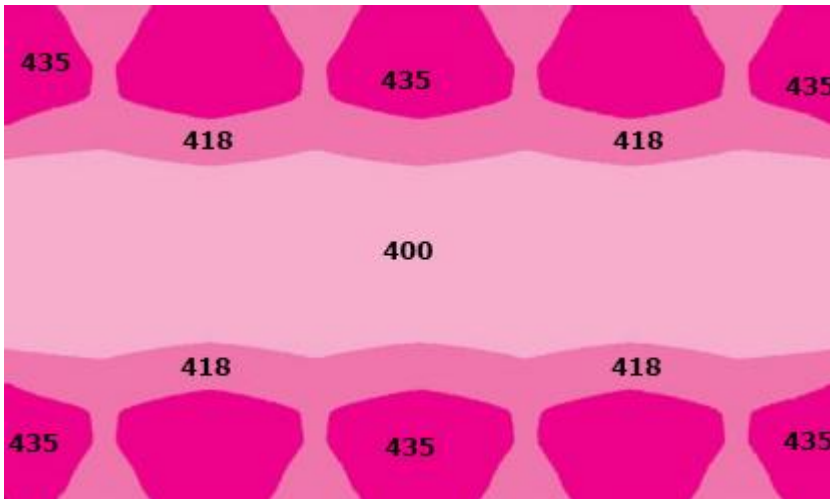
### Compliance

- CE certification
- Low Voltage Directive (LVD)
- Electromagnetic Compatibility Directive (EMC)
- Restriction of Hazardous Substances (RoHS) Directive

## PPFD map: Horti-Spec

### Greenhouse

Measurements: 1.5m x 1.5 m / 5' x 5'  
Height fixture above canopy: 1.0 m / 40"  
1 fixture needed for: 2.25 m<sup>2</sup> / 25 sqft  
Spectrum: the Horti-spec can be supplied with a wide range of colour spectra, the optimal one is determined by the specific crops you want to Cultivate.



Average: 418  $\mu\text{Mol}/\text{m}^2/\text{s}$   
Maximum: 435  $\mu\text{Mol}/\text{m}^2/\text{s}$   
Minimum: 400  $\mu\text{Mol}/\text{m}^2/\text{s}$   
Uniformity: 92%

Technical Datasheet

Designed and produced in the Atop Lighting. © 2018, Atop. All rights reserved.

### Atop Lighting

Building A, Jian'an Road No.3,  
Tang Wei Community, Fu Yong Street,  
Bao An Distric, Shen Zhen, China.

T +8675523573307  
E info@atophort.com  
W www.atophort.com

