

# **HORTI-T8 integrated tube**

## **VERTICAL FARMING**

**TECHNICAL DATASHEET**

### Product features

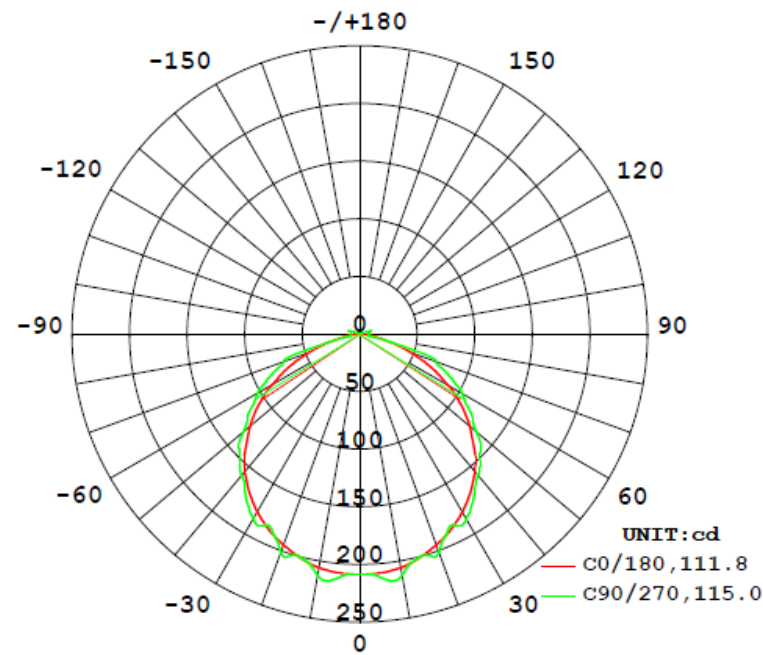
Housing material	Aluminum
Finishing	Anodized/ Antifouling powder coating
Optics materials	PC cover (transmission >90%)
Radiation angle	120°
Protection degree LED compartment	IP20
Lighting impact resistance	IK07

### Technical data

Power*	9W,14W,15W,18 W,22W,25W,30W,36W (± 5%)
PF	> 0.95
Voltage range	100-240 VAC/100-277VAC
Current range	0.36A-0.032A
Frequency range	50/60 Hz
Inrush current	< max. 25A (t< 1 msec)
Isolation class	Class I
Operation conditions	0°C to 40°C / 32°F to 104°F (95% RH)
Storage conditions	-20°C to 65°C /-4F° to 149°F (85% RH)

### Optical properties

Photon flux (μMol/s)	16,25,27,32,40,45,54,64μMol/s
Efficacy (μMol/J)	1.8μMol/J(higher up to 2.1μMol/J can reach based on request)



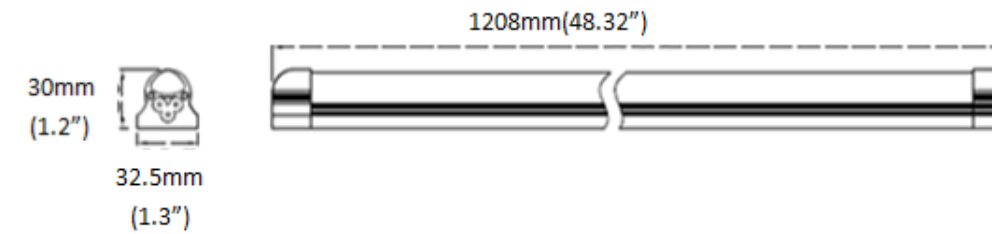
### Weight and dimensions (current 1200mm/48",to be added)

Net weight 0.31 kg/0.68 lb

### Mounting

Surface mounted installation

### Drawing



Dimension						
Length	598mm 23.92"	908mm 36.32"	1208mm 48.32"	1508mm 60.32"	1808mm 72.32"	2408mm 96.32"
Width	32.5mm 1.3"					
Height	30mm 1.2"					

### Logistic specifications (current 1200mm/48",to be added)

Quantity per carton	25 pcs
Gross weight per carton	11.65 kg/25.7 lb
Carton dimensions	1305mmx235mmx210mm/ 51.2"x 9.6"x 6.6"

### Compliance

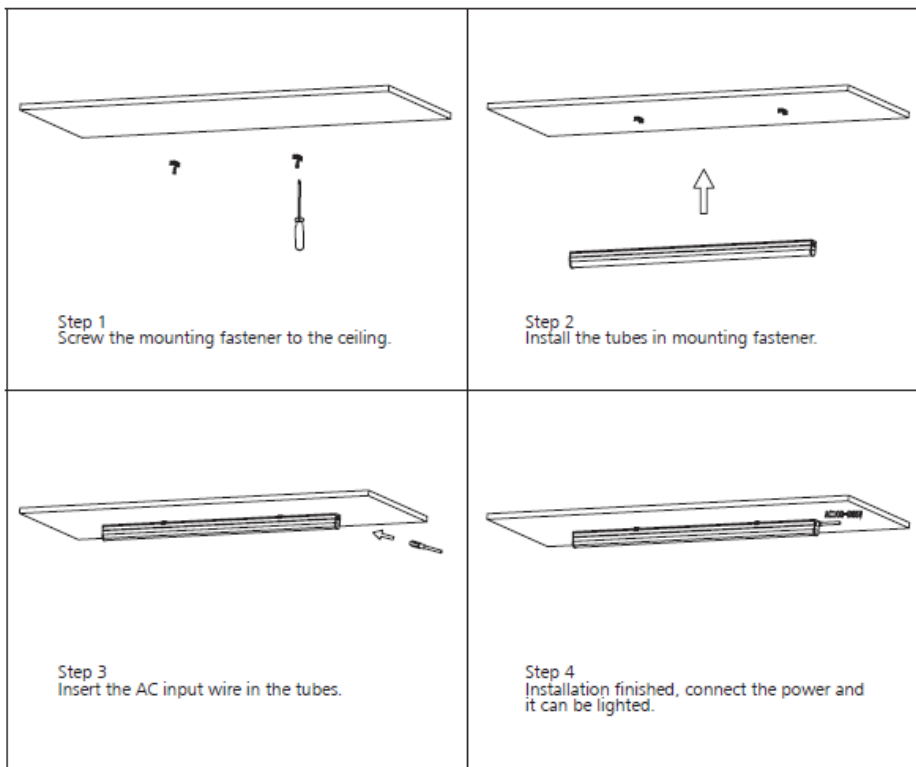
- CE certification
- Low Voltage Directive (LVD)
- Electromagnetic Compatibility Directive (EMC)
- Restriction of Hazardous Substances (RoHS) Directive

CE RoHS

## Application: Horti-T8 Integrated tube



## Installation



Technical Datasheet

Designed and produced in the Atop Lighting. © 2018, Atop. All rights reserved.

### Atop Lighting

Building A, Jian'an Road No.3,  
Tang Wei Community, Fu Yong Street,  
Bao An Distric, Shen Zhen, China.

T +8675523573307  
E info@atophort.com  
W www.atophort.com

