

# Horti-Eco

## HL22

CE  **RoHS**

**IP65**  
WATERPROOF

 **ETL** US  
LISTED  
Intertek

TECHNICAL DATASHEET



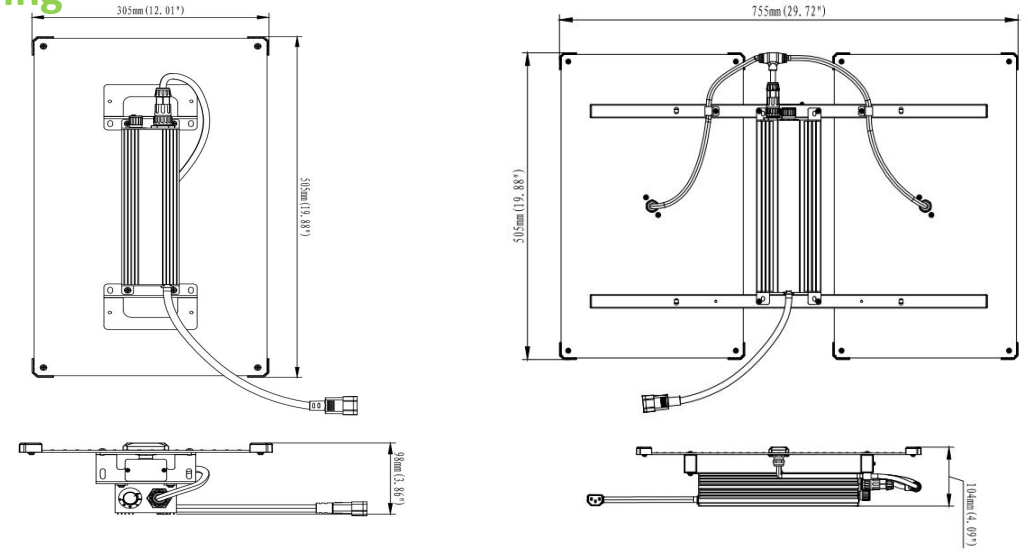
## Product features

Housing material	Aluminum
Optics materials	Conformal coating (transmission >97%)
Radiation angle	120°
Protection degree	IP65 (dust and watertight)

## Technical data

Power	250W ( ±5% )	500W ( ±3% )
System efficacy	2.6 umol/J ( ±5% )	2.6 umol/J ( ±5% )
PPF Output	650 umol/s	1300 umol/s
Current Range	2.5A @ 100V , 0.9A @ 277V	5A @ 100V , 1.8A @ 277V
Heat BTU Generated	852.5 BTU	1705 BTU
Power Input	100-277Vac,50-60Hz	
Isolation Class	Class I	
Power Factor	> 0.9	
Dimming	0-10V	
IP rating	IP65	

## Drawing



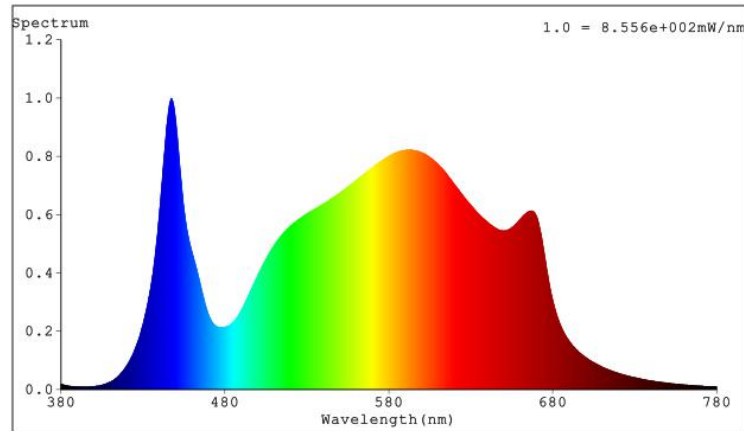
250W

500W

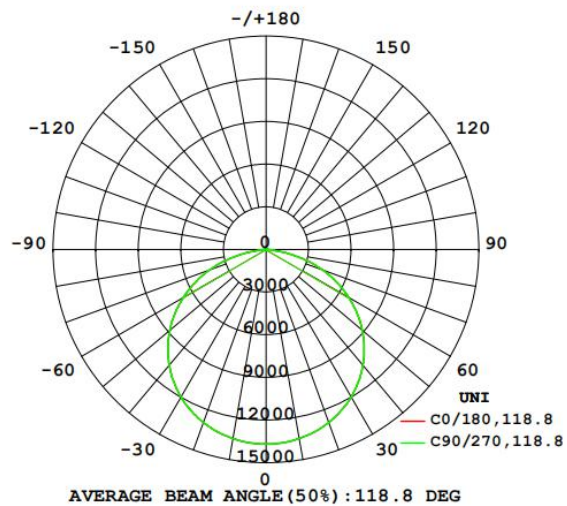
Power	250W ( ±5% )	500W ( ±3% )
Dimensions	505 x 305 x 98mm 19.88" x 12.01" x 3.86"	755 x 505 x 104mm 29.72" x 19.88" x 4.09"
Net Weight	3.36±0.3kg/7.41±0.66lbs	6.18±0.3kg/13.62±0.66lbs
Qty/CTN	1 pc	1 pc
Gross Weight	4.87±0.3kg/10.74±0.66lbs	8.53kg±0.3kg/18.81±0.66lbs
CTN SIZE	545 x 345 x 135mm 21.46" x 13.58" x 5.32"	795 x 545 x 135mm 31.30" x 21.46" x 5.32"
Operation conditions	0°C to 40°C / 32°F to 104°F (95% RH)	
Storage conditions	-40°C to 70°C / -40°F to 158°F (85% RH)	
Warranty	3 years	

## Horti-Eco Spectrum Chart

HL22-P02-01



## Horti-Eco IES Chart



## Mounting



Hanging rope \* 2 sets

## Compliance

CE

ETL

Low Voltage Directive (LVD)

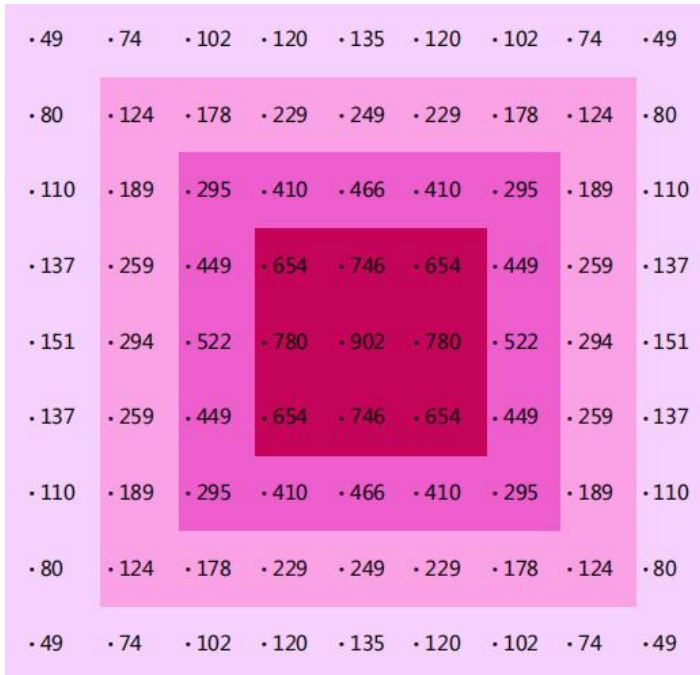
Electromagnetic Compatibility Directive (EMC)

Restriction of Hazardous Substances (RoHS) Directive

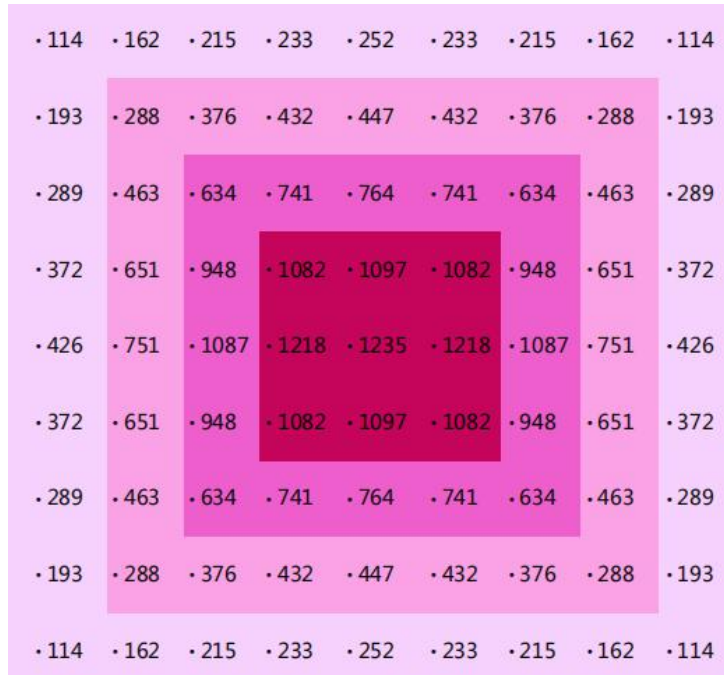
\* typical values for stable operation at 25° C / 77° F ambient temperature

## PPFD test result

250W 45cm/18"



500W 45cm/18"



**Spectrum:**

HL22-P02-01

**Cover area:**

1.2m x 1.2 m / 4' x 4'

**Height fixture above canopy:**

45cm/ 18"

**1 fixture needed for:**

1.44 m<sup>2</sup> / 15.5 sqft

**PPFD value:**

250W 45cm/18"

500W 45cm/18"

Average: 475.5  $\mu\text{Mol}/\text{m}^2/\text{s}$

Average: 674.5  $\mu\text{Mol}/\text{m}^2/\text{s}$

Maximum: 902  $\mu\text{Mol}/\text{m}^2/\text{s}$

Maximum: 1235  $\mu\text{Mol}/\text{m}^2/\text{s}$

Minimum: 49  $\mu\text{Mol}/\text{m}^2/\text{s}$

Minimum: 114  $\mu\text{Mol}/\text{m}^2/\text{s}$

Technical Datasheet Designed and produced in the Atop Lighting. © 2021, Atop. All rights reserved.

## Atop Lighting

Building A, Jian'an Road No.3,  
Tang Wei Community, Fu Yong Street,  
Bao An Distric, Shen Zhen, China.

**T** +8675523573307

**E** info@atophort.com

**W** www.atophort.com

